

STEREOLITHOGRAPHY 3D PRINTER

SLA800-DLC



PROTOFAB™
BEYOND DIMENSIONS

WORKHORSE

www.3dprotofab.com

TOP QUALITY COMPONENTS

Inside the solid steel frame sits the highly stable granite reinforced printing platform with an aerospace-grade aluminum Z-axis module which minimizes vibration and maximizes precision. Superior components and fine workmanship make the SLA800 an indispensable workhorse.

LARGE INDUSTRIAL GRADE BUILDING CAPACITY

The SLA800 fabricates functional and challenging prototypes up to 800 x 800 x 550 mm in size, eliminating the need for connection links.

TRUE TO CAD ACCURACY AND SURFACE FINISH

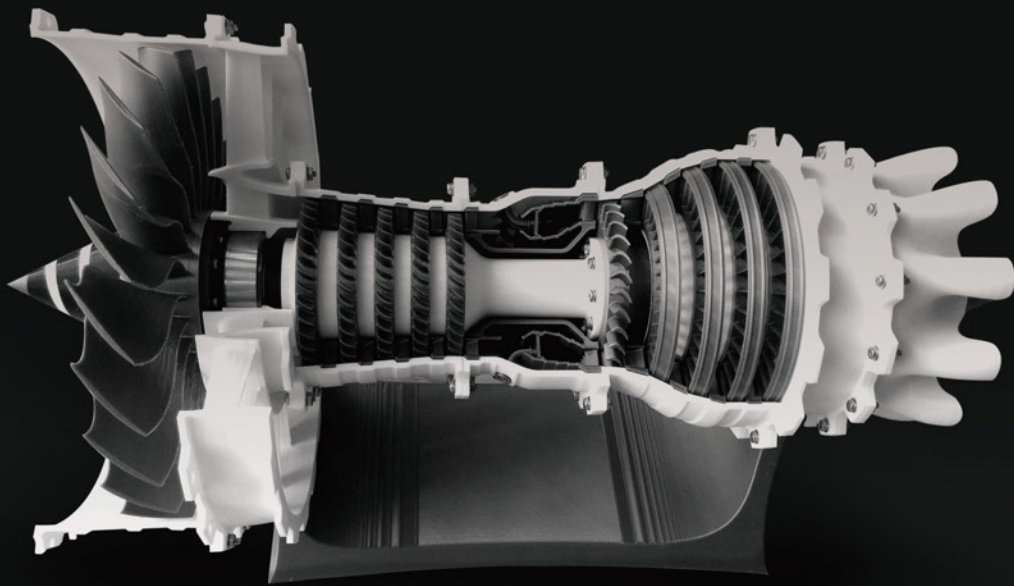
Equipped with fast and intuitive printer interface software, and a galvanometer optical system by ScanLab Germany, the SLA800 displays top scanning speeds and enhances production efficiency significantly. Surface roughness as low as 0.05 μm makes post-processing simple and efficient.

WIDE CHOICE OF MATERIALS

A selection of over 10 different custom-designed printing materials with unique characteristics for functional prototypes and low-volume manufacturing.

MADE TO MEASURE CUSTOMIZATION

We offer a considerable selection of customizations free of charge. Available upgrades include autofocus, automatic material refilling, environment sensors, as well as remote diagnostics and control, ensuring you are industry 4.0 ready.



SLA800-DLC TECHNICAL DATA SHEET

Model	SLA800A-DLC	SLA800B-DLC
Build Size (xyz) ¹	800 x 600 x 400 mm (31.50 x 23.62 x 15.75 in)	800 x 800 x 550 mm (31.50 x 31.50 x 21.65 in)
Printing Speed	75 - 180 g/h (Single Scanner)	75 - 180 g/h (Single Scanner)
Scanning Speed	6.0 m/s (Recommended) 10.0 m/s (Maximum)	
Accuracy	Part Size < 100 mm (3.9 in): ±0.1 mm (±0.004 in)	Part Size ≥ 100 mm (3.9 in): ±0.1% x L
Layer Thickness	0.1 mm (0.004 in)	
Laser Type	Diode-pumped solid-state laser Nd:YVO ₄	
Optical System	SCANLAB Galvanometer Scanner Beam Size: the diameter of fixed spot: 0.08mm-0.15m the diameter of variable spot: Small spot: 0.08mm-0.15m; Large spot: 0.45mm	
Operating Software	Sirius Intelligent Printing Control Software Linux / Windows (Optional)	
CAD Interface	STL,CTL,OBJ,PLY,ZPR,ZBD,AMF,WRL,3DS, FBX,MJPDDD,3DPRINT,BFF,IGES,IGS,STEP and STP	
Machine Size W x D x H	1830 x 1300 x 2060 mm (72.05 x 51.18 x 81.10 in)	1880 x 1570 x 2350 mm (74.02 x 61.81 x 92.52 in)
Ambient Temperature	22 - 25°C (71.6 - 77°F)	
Relative Humidity	Less than 40%	
Power Requirements	200 - 240 VAC 50 / 60 Hz 16A (Available according to local voltage standard)	



Accuracy may vary depending on build parameters, part geometry and size, part orientation and post-processing methods.

By choosing a ProtoFab SLA machine, you also gain access to comprehensive training for 3D printing, post-processing and advanced industrial design assistance. We also provide you with free lifetime technical support to help your business optimize production and maximize profitability.

PROTOFAB™
BEYOND DIMENSIONS

899 Maqing Road, Haicang District, Xiamen, Fujian, China 361026 P : +86-592-3862946 F : +86-592-3862808 E : info@3dprotofab.com

Powered by Vistar (Xiamen) Industries CO., Ltd.

Version 1.1 PN 36.19E.007

